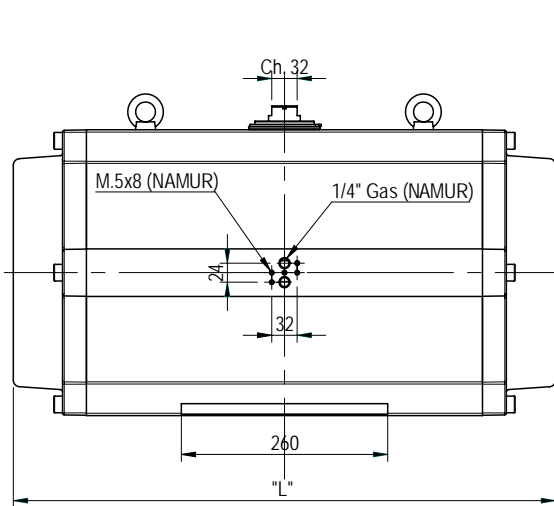
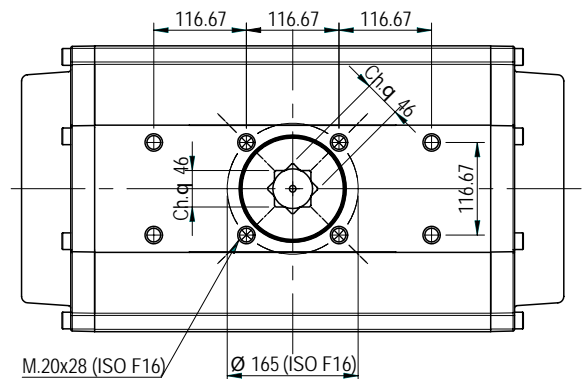
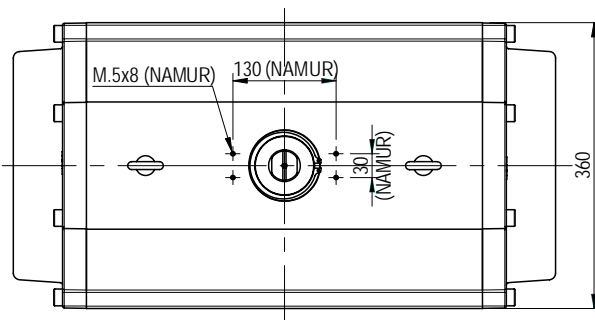
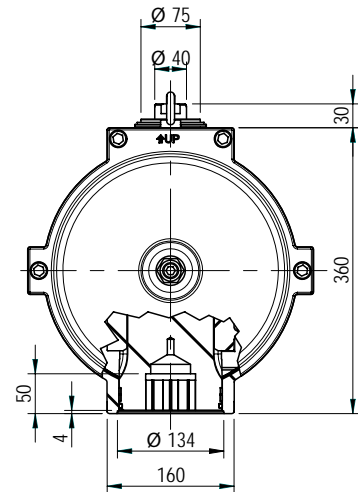


Pneumatische actuator met tweezijdige slaginstelling  
Pneumatic actuator with double limit stop

## GTW.300



Luchtaansluiting volgens NAMUR  
NAMUR standard ports



| LENGTE [mm]<br>LENGHT [mm] |      |      | LUCHTVERBRUIK [N.lt]<br>AIR CONSUMPTION [N.lt] |      |      |         | GEWICHT (2) [kg]<br>WEIGHT (2) [kg] |      |      |         |
|----------------------------|------|------|--|------|------|---------|-------------------------------------|------|------|---------|
| 90°                        | 120° | 180° | 90°  | 120° | 180° | 90° (1) | 90°                                 | 120° | 180° | 90° (1) |
| 683                        |      |      | 46,0   |      |      | 25,0    | 92,0                                |      |      | 107,1   |

- (1) Enkelwerkende actuator met 8 veren  
Spring return whit 8 spring cartridges  
(2) Gewichten zijn aangeven voor een actuator met een ashoogte van 30mm  
Weights referred to protrusion shafts 30mm

DRAAIMOMENT [Nm] - DUBBELWERKENDE ACTUATORS / TORQUE [Nm] - DOUBLE ACTING ACTUATORS

| Pneumatisch Draaimoment [Nm] / Pneumatic torque [Nm] |         |       |         |       |         |       |         |       |         |       |       |       |        |
|--|---------|-------|---------|-------|---------|-------|---------|-------|---------|-------|-------|-------|--------|
| 2 bar  | 2,5 bar | 3 bar | 3,5 bar | 4 bar | 4,5 bar | 5 bar | 5,6 bar | 6 bar | 6,5 bar | 7 bar | 8 bar | 9 bar | 10 bar |
| 1600   | 2000    | 2400  | 2800    | 3200  | 3600    | 4000  | 4480    | 4800  | 5200    | 5600  | 6400  | 7200  | 8000   |

DRAAIMOMENT [Nm] - ENKELWERKENDE ACTUATORS / TORQUE [Nm] - SINGLE ACTING ACTUATORS

| Veren<br>Springs | Veermoment<br>Spring torque |      | Pneumatisch Draaimoment<br>Pneumatic torque |      |      |      |       |      |      |      |       |      |      |      |       |      |      |      |                    |      |      |      |                   |     |    |     |       |     |    |     |       |  |  |  |        |  |  |  |
|------------------|-----------------------------|------|---|------|------|------|-------|------|------|------|-------|------|------|------|-------|------|------|------|--------------------|------|------|------|-------------------|-----|----|-----|-------|-----|----|-----|-------|--|--|--|--------|--|--|--|
|                  | Spring torque               |      | 2 bar                                       |      |      |      | 3 bar |      |      |      | 4 bar |      |      |      | 5 bar |      |      |      | 80 PSIG<br>5,6 bar |      |      |      | 100 PSIG<br>7 bar |     |    |     | 8 bar |     |    |     | 9 bar |  |  |  | 10 bar |  |  |  |
|                  | 0°                          | 90°  | 0°  | 90°  | 0°   | 90°  | 0°    | 90°  | 0°   | 90°  | 0°    | 90°  | 0°   | 90°  | 0°    | 90°  | 0°   | 90°  | 0°                 | 90°  | 0°   | 90°  | 0°                | 90° | 0° | 90° | 0°    | 90° | 0° | 90° |       |  |  |  |        |  |  |  |
| 1                | 136                         | 203  | 1460  | 1391 | 2260 | 2191 | 3060  | 2991 | 3860 | 3791 | 4340  | 4271 | 4660 | 4591 | 5460  | 5391 | 6260 | 6191 | 7060               | 6991 | 7860 | 7791 |                   |     |    |     |       |     |    |     |       |  |  |  |        |  |  |  |
| 2                | 272                         | 406  | 1320  | 1182 | 2120 | 1982 | 2920  | 2782 | 3720 | 3582 | 4200  | 4062 | 4520 | 4382 | 5320  | 5182 | 6120 | 5982 | 6920               | 6782 | 7720 | 7582 |                   |     |    |     |       |     |    |     |       |  |  |  |        |  |  |  |
| 3                | 408                         | 609  | 1179  | 973  | 1979 | 1773 | 2779  | 2573 | 3579 | 3373 | 4059  | 3853 | 4379 | 4173 | 5179  | 4973 | 5979 | 5773 | 6779               | 6573 | 7579 | 7373 |                   |     |    |     |       |     |    |     |       |  |  |  |        |  |  |  |
| 4                | 544                         | 812  | 1039  | 763  | 1839 | 1563 | 2639  | 2363 | 3439 | 3163 | 3919  | 3643 | 4239 | 3963 | 5039  | 4763 | 5839 | 5563 | 6639               | 6363 | 7439 | 7163 |                   |     |    |     |       |     |    |     |       |  |  |  |        |  |  |  |
| 5                | 681                         | 1015 | 899   | 554  | 1699 | 1354 | 2499  | 2154 | 3299 | 2954 | 3779  | 3434 | 4099 | 3754 | 4899  | 4554 | 5699 | 5354 | 6499               | 6154 | 7299 | 6954 |                   |     |    |     |       |     |    |     |       |  |  |  |        |  |  |  |
| 6                | 817                         | 1218 | 759   | 345  | 1559 | 1145 | 2359  | 1945 | 3159 | 2745 | 3639  | 3225 | 3959 | 3545 | 4759  | 4345 | 5559 | 5145 | 6359               | 5945 | 7159 | 6745 |                   |     |    |     |       |     |    |     |       |  |  |  |        |  |  |  |
| 7                | 953                         | 1421 | 619   | 136  | 1419 | 936  | 2219  | 1736 | 3019 | 2536 | 3499  | 3016 | 3819 | 3336 | 4619  | 4236 | 5419 | 4936 | 6219               | 5736 | 7019 | 6536 |                   |     |    |     |       |     |    |     |       |  |  |  |        |  |  |  |
| 8                | 1089                        | 1624 |   |      | 1278 | 727  | 2078  | 1527 | 2878 | 2327 | 3358  | 2807 | 3678 | 3127 | 4479  | 3927 | 5279 | 4727 | 6079               | 5527 | 6879 | 6327 |                   |     |    |     |       |     |    |     |       |  |  |  |        |  |  |  |
| 9                | 1225                        | 1827 |   |      | 1138 | 518  | 1938  | 1318 | 2738 | 2118 | 3218  | 2598 | 3538 | 2918 | 4338  | 3718 | 5138 | 4518 | 5938               | 5318 | 6738 | 6118 |                   |     |    |     |       |     |    |     |       |  |  |  |        |  |  |  |
| 10               | 1361                        | 2031 |   |      | 998  | 309  | 1798  | 1109 | 2598 | 1909 | 3078  | 2389 | 3398 | 2709 | 4198  | 3509 | 4998 | 4309 | 5798               | 5109 | 6598 | 5909 |                   |     |    |     |       |     |    |     |       |  |  |  |        |  |  |  |
| 11               | 1497                        | 2234 |   |      |      |      | 1658  | 899  | 2458 | 1699 | 2938  | 2179 | 3258 | 2499 | 4058  | 3299 | 4858 | 4099 | 5658               | 4899 | 6458 | 5699 |                   |     |    |     |       |     |    |     |       |  |  |  |        |  |  |  |
| 12               | 1633                        | 2437 |   |      |      |      | 1518  | 690  | 2318 | 1490 | 2798  | 1970 | 3118 | 2290 | 3918  | 3090 | 4718 | 3890 | 5518               | 4690 | 6318 | 5490 |                   |     |    |     |       |     |    |     |       |  |  |  |        |  |  |  |
| 13               | 1769                        | 2640 |   |      |      |      | 1378  | 481  | 2178 | 1281 | 2658  | 1761 | 2978 | 2081 | 3778  | 2881 | 4578 | 3681 | 5378               | 4481 | 6178 | 5281 |                   |     |    |     |       |     |    |     |       |  |  |  |        |  |  |  |
| 14               | 1906                        | 2843 |   |      |      |      | 1237  | 272  | 2037 | 1072 | 2517  | 1552 | 2837 | 1872 | 3637  | 2672 | 4437 | 3472 | 5237               | 4272 | 6037 | 5072 |                   |     |    |     |       |     |    |     |       |  |  |  |        |  |  |  |
| 15               | 2042                        | 3046 |   |      |      |      |       |      | 1897 | 863  | 2377  | 1343 | 2697 | 1663 | 3497  | 2463 | 4297 | 3263 | 5097               | 4063 | 5897 | 4863 |                   |     |    |     |       |     |    |     |       |  |  |  |        |  |  |  |
| 16               | 2178                        | 3249 |   |      |      |      |       |      | 1757 | 654  | 2237  | 1134 | 2557 | 1454 | 3357  | 2254 | 4157 | 3054 | 4957               | 3854 | 5757 | 4654 |                   |     |    |     |       |     |    |     |       |  |  |  |        |  |  |  |