



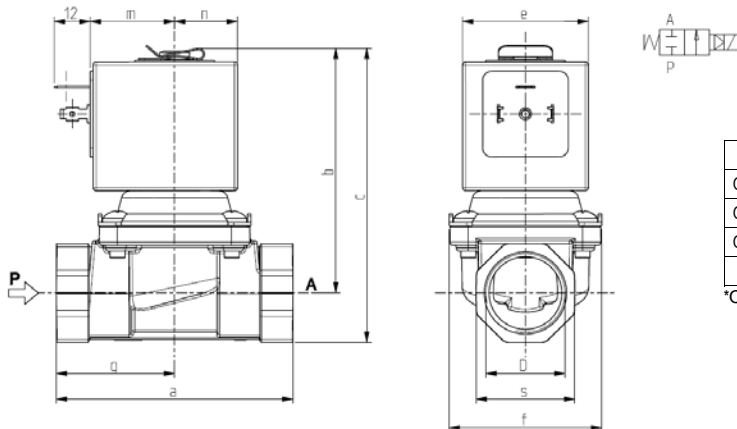
SOLENOID VALVE

2/2 - NC (Normally closed)

Pilot operated hung diaphragm

3/8 ÷ 1 NPT

L133-NPT



D	a	b	c	e	f	m	n*	s	g
G 3/8	60	69,8	80,8	30	40,2	21,6	15*	22	25,5
G 1/2	66	74,5	90	30	40,2	21,6	15*	27	-
G 3/4	79	81	98	42	51	28	21	33	-
G 1	105	100	121	48,6	71	35	24,3	42	46

*Only for ZA32K n=19,9

► GENERAL FEATURES

Pilot operated hung diaphragm valve with full orifice.
 Designed for closed circuit hydraulic systems and for vessels draining.
 Suitable to shut off liquid and gaseous fluids (verify the compatibility of fluid with materials in contact).

► TECHNICAL FEATURES

Maximum allowable pressure (PS) 16 bar
 Opening time from ~100ms to ~150ms
 Closing time from ~100ms to ~400ms
 Fluid temperature
 -10°C +90°C (NBR)
 0°C +130°C (FPM)
 -10°C +140°C (EPDM)
 Max viscosity 5°E (~37 cStokes or mm²/s)

► MATERIALS IN CONTACT WITH FLUID

Body Brass
 Sealing NBR or FPM or EPDM
 Internal components Stainless steel and PPS (3/8 NPT – 1/2 NPT)
 Stainless steel and brass (3/4 NPT – 1 NPT)
 Seat Brass
 Core tube Stainless steel
 Shading coil Copper (except L133(*)19)

► COIL

Continuous duty
 Encapsulation material
 Insulation class
 Ambient temperature
 Electric connections
 Protection degree
 Voltages DC
 AC

ZA10A	ZA32K	Z130A	Z923A/E
ED 100%			
PPS (Polyphenilsulfure) fiberglass reinforced	PET (polyethylene terephthalate) fiberglass reinforced	PPS (Polyphenilsulfure) fiberglass reinforced	
F (155°C) on request class H (180°C) – UL (see ZA34)		F (140°C) on request class H (165°C) - UL	H (165°C)
-10°C +50°C		-10°C +60°C	-10°C +80°C
DIN 46340 - 3 poles connectors (EN175301-803)			
IP 67 (EN 60529) with plug connector	IP 65 (EN 60529) with plug connector		
12-24V (+10% -5%)			
24V/50Hz-110V/50Hz(120V/60Hz) - 230V/50Hz (+10% -15%)			
(Other voltages and frequencies on request)			

Port size ISO 228	Orifice size (mm)	Differential pressure (bar)				Kv (m ³ /h)	Series and type		Power absorption			Sealings	Notes	Weight (kg)
		Δp max					Valve	Coil	AC (VA)		DC			
		Gas		Liquids					Inrush	Holding				
3/8 NPT	12.5	10	3	10	3	2	L133(*)18	ZA10A			23	14	9	(*) = B (NBR)
							-	8	-	8	L133(*)19	ZA32K	-	-
1/2 NPT	17	10	3	10	3	2.2	L133(*)18	ZA10A	23	14	9	(*) = D (EPDM)	1	0.410
							-	8	-	8	L133(*)19	ZA32K	-	-
3/4 NPT	17	10	3	10	3	4,5	L133(●)08	Z130A	44	24	13	(●) = B (NBR)	-	0,790
1 NPT	24	10	-	10	-	9	L133(●)09	Z923E	65	33	-	(●) = V (FPM)	-	1,810
								Z923A	-	-	17			

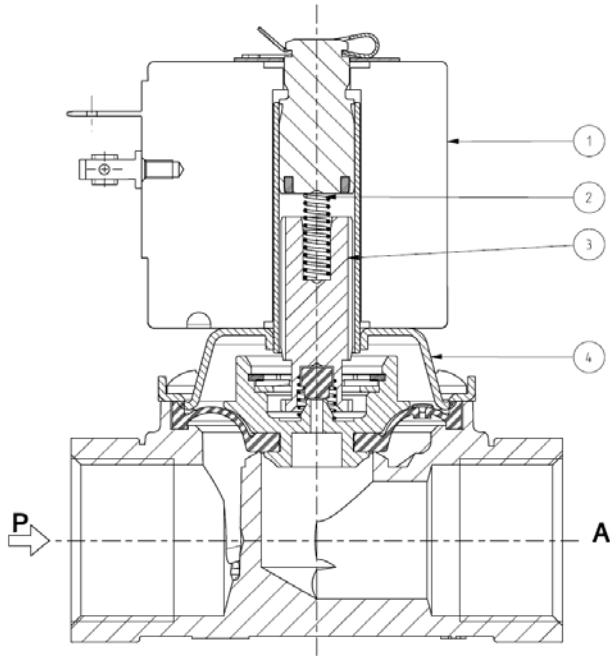
► NOTES

- Sealings : NBR = Nitrile-butylene elastomer FPM = Fluoro-carbon elastomer EPDM = Ethylene-propylene elastomer (WRAS/KTW homologated compound)
 - The nominal flow is guaranteed with Δp min ≥ 0,3 bar. Contact us in case of lower Δp min values.
 1 - IMQ CSV approval, see ZA10 datasheet for further details

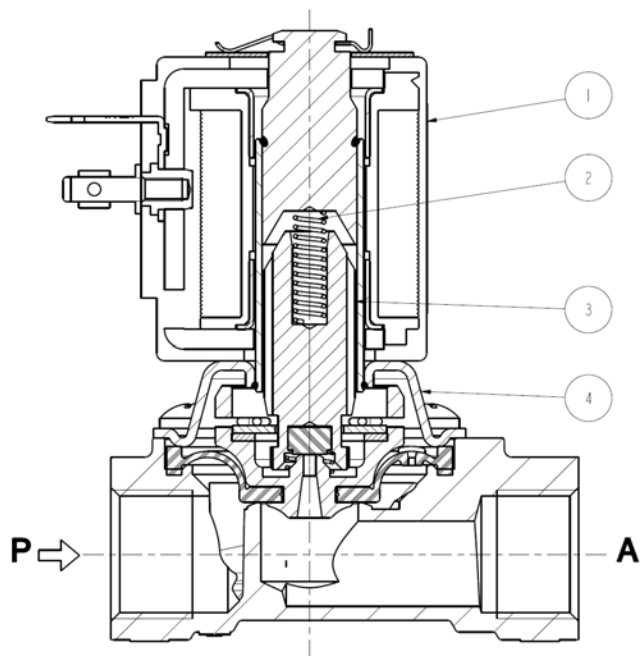
L133-NPT

► SPARE PARTS

L133B08 - V08 - B09 - V09 - B18 - V18 - D18



L133B19 - V19 - D19



Kit description

Core diaphragms kit

3/8 - 1/2 NPT	L133B18	G3145301
	L133V18	G3145302
	L133D18	G3145303
	L133B19	G3145201
	L133V19	G3145202
	L133D19	G3145203
3/4 NPT	L133V08	G2990202
	L133B08	G2990201
1 NPT	L133V09	G2991902
	L133B09	G2991901

Core return spring kit

3/8 - 1/2 NPT	L133B/V/D18/19	G434623
3/4 NPT	L133B-V08	G2918601
1 NPT	L133B-V09	G2955801

Guide assembly kit

3/8 - 1/2 NPT	L133B/V/D18	G31496
	L133B/V/D19	G31497

Guide assembly

3/4 NPT	L133B-V08	3077701R
1 NPT	L133B-V09	2408202R

Coil

3/8 - 1/2 NPT	L133B/V/D18	ZA10A
	L133B/V/D19	ZA32K
3/4 NPT	L133B-V08	Z130A
1 NPT	L133B-V09 (AC)	Z923E
	L133B-V09 (DC)	Z923A

Kit P.N.

Consisting of:

Core return spring pos. 2
Diaphragm assembly with core assembly pos. 3

n°10 core return springs pos. 2

Guide assembly pos. 4
Coil clip

Guide assembly pos. 4

Coil pos. 1

► INSTALLATION

Solenoid valve can be mounted in any position; vertical with coil upwards preferred.

THE VALIDITY OF REPORTED DATA IS REFERRED TO THE DATE OF ISSUE. POSSIBLE UPDATES ARE AVAILABLE ON REQUEST.