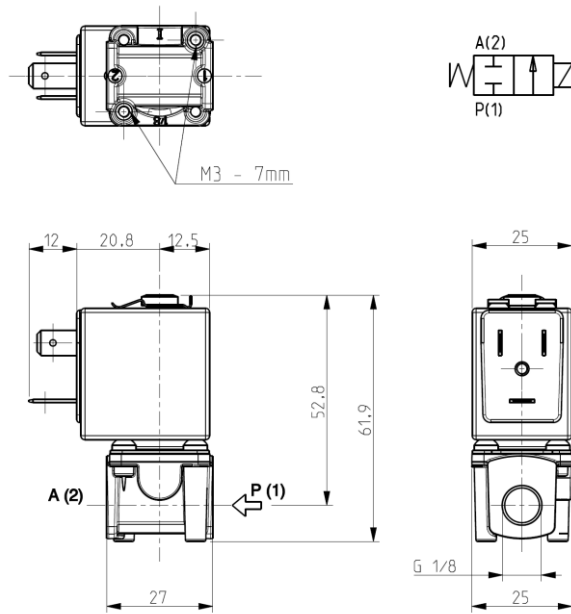




SOLENOID VALVE
2/2- NC (Normally closed)
Direct acting
G 1/8

L177



► GENERAL FEATURES

Direct acting solenoid valve.
 Suitable to shut off liquid and gaseous fluids (verify the compatibility of fluid with material in contact)

► TECHNICAL FEATURES

Maximum allowable pressure (PS) 30bar
 Opening time from ~10ms to ~20ms
 Closing time from ~10ms to ~20ms
 Fluid temperature -10°C +90°C (NBR)
 0°C +130°C (FPM)
 -10°C +140°C (EPDM)
 Max viscosity 5°E (~37 cStokes or mm²/s)

► MATERIALS IN CONTACT WITH FLUID

Body Brass
 Sealing NBR or FPM or EPDM
 Internal components Stainless steel
 Seat Brass
 Core tube Stainless steel
 Shading coil Copper

► COIL

Continuous duty ED 100%
 Encapsulation material PET (polyethylene terephthalate) fiberglass reinforced
 Insulation class F (155°C) – on request class H (180°C) - UL
 Ambient temperature -10°C +60°C
 Electric connection DIN 46340 - 3 poles plug connectors
 Protection degree IP 65 (EN 60529) with plug connectors
 Voltages DC 12-24V (+10% -5%)
 AC 24V/50-60Hz - 110V/50-60Hz (120V/60Hz)
 230V/50-60Hz (+10% -15%)
 (Other voltages and frequencies on request)

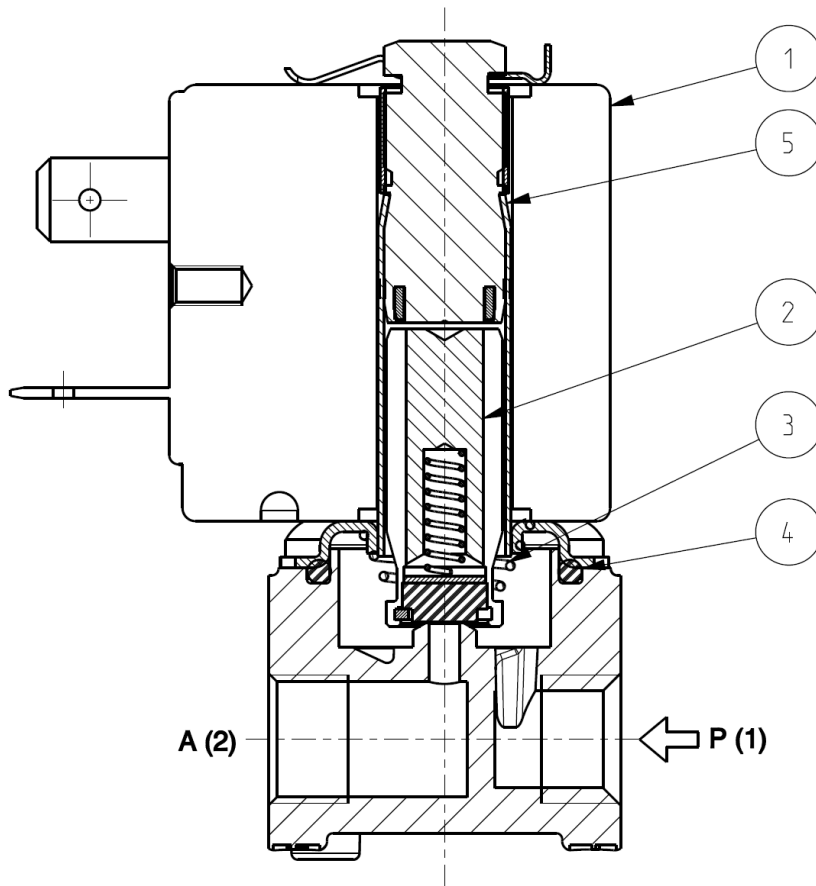
Port size ISO-228	Orifice size (mm)	Differential pressure (bar)				Kv (m ³ /h)	Series and type		Power absorption			Sealings	Notes	Weight (kg)		
		Δp min	Δp max				Valve	Coil	AC (VA)		DC (W)					
			Gases		Liquids				Inrush	Holding						
			AC	DC	AC										DC	
G 1/8	1,6	0	30	20	30	20	0,09	Z610A	16	10	6	NBR	-	0,170		
			FPM	-												
	2,3		13	6	12	5						0,14	L177B04		NBR	-
			L177D04	EPDM	1											
			L177V04		FPM	-										
			L177V04	NBR	-											
3,2	7	1,4	6	1,2	0,25	L177B04	FPM	1								
	L177V04	FPM	1													

► NOTES

- Sealings: NBR = Nitrile-butylene elastomer FPM = Fluoro-carbon elastomer EPDM = Ethylene-propylene elastomer
 1 - Model available on request only: ask for minimum quantity.

L177

► SPARE PARTS



Kit description

Core Kit
L177B04
L177D04
L177V04

Kit P.N.

G2937301
G2937305
G2937303

Consisting of:

Core pos.2
OR guide assembly pos.4

Core return spring kit

G2927101

N.10 core return spring pos.3

Guide assembly kit

G3151601

Guide assembly pos.5
Coil clip

Coil

Z610A

Coil pos.1

► INSTALLATION

- Solenoid valve can be mounted in any position; vertical with coil upwards preferred.