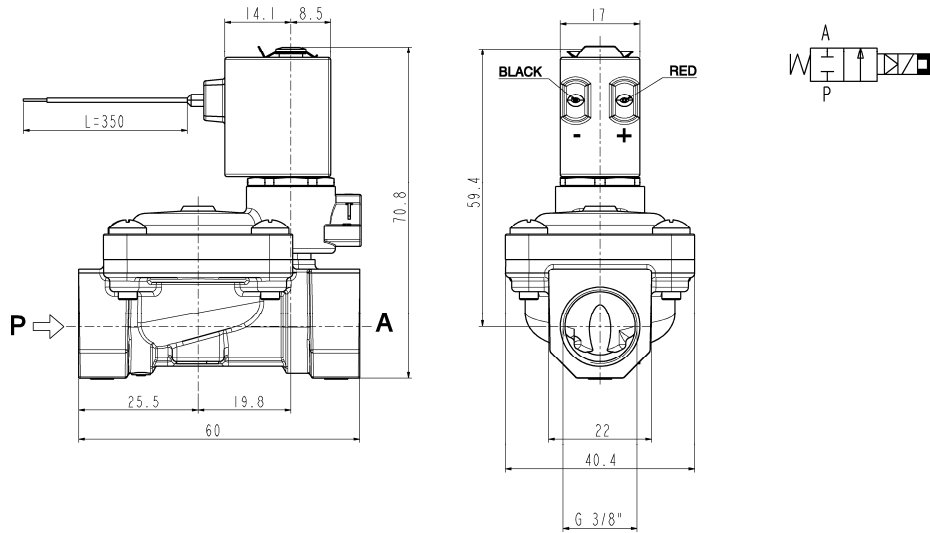




**SOLENOID VALVE**  
**2/2 - NC (Normally closed)**  
**Pilot operated**  
**G 3/8**

**L182B74**  
**LATCHING MODEL**



► **GENERAL FEATURES**

Diaphragm valve, pilot operated, having full orifice.  
 Suitable to shut off liquid and gaseous fluids (verify the compatibility of fluid with materials in contact).

► **TECHNICAL FEATURES**

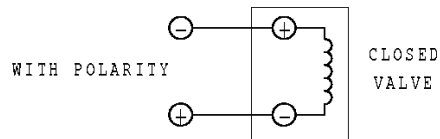
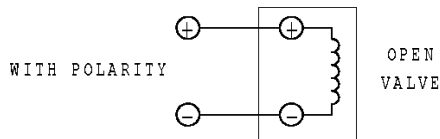
*Maximum allowable pressure (PS)*    16 bar  
*Opening time*    ~300 ms  
*Closing time*    ~1000ms  
*Fluid temperature*    -10°C +90°C  
*Max viscosity*    5°E (~37 cStokes or mm<sup>2</sup>/s)

► **MATERIALS IN CONTACT WITH FLUID**

*Body*    Brass  
*Sealing*    NBR  
*Internal components*    Brass and stainless steel  
*Seat*    Brass  
*Guide assembly*    Stainless steel

► **COIL**

*Duty*    Latching model, polarized type, operating with impulses  
*Minimum energizing time*    20ms  
*Encapsulation material*    PP-V0 (self-extinguishing-polypropylene)  
*Coil insulation class*    A (105°C)  
*Ambient temperature*    -10°C +60°C  
*Electric connections*    N° 2 wires AWG 24 length 350 mm.  
*Protection degree*    IP 66 (EN 60529)  
*Voltages DC*    6-12V (+10% -10%)  
 (Other voltages on request)



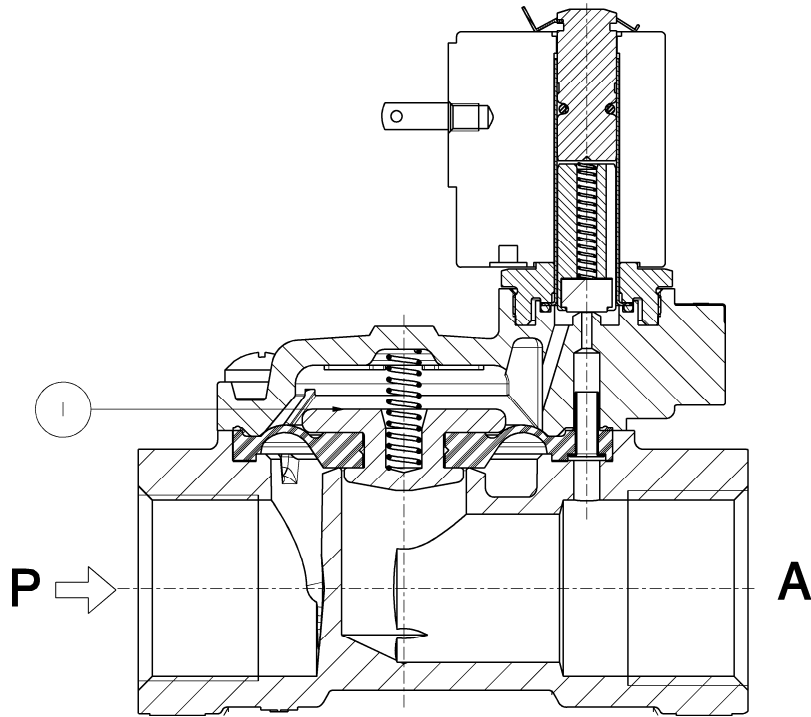
Port size ISO 228	Orifice size (mm)	Differential pressure (bar)				Kv (m <sup>3</sup> /h)	Series and type		Power absorption			Sealings	Notes	Weight (kg)	
		Δp min	Δp max		Valve		Coil	AC (VA)		DC (W)					
			Gases					Inrush	Holding						
			AC	DC							AC				DC
G 3/8	13,5	0,35	-	8	-	8	2,5	L182B74	Z075M	-	-	1,2	NBR	-	0,300

► **NOTES**

- Sealings : NBR = Nitrile-butylene elastomer
- Operation with gaseous media, at high pressure without any outlet restriction, can reduce the diaphragm life.

# L182B74

## ► SPARE PARTS



### Kit description

Diaphragm assembly

### Kit P.N.

2844302R

### Consisting of:

Diaphragm assembly pos. 1

## ► MOUNTING

- Solenoid valve can be mounted in any position; vertical with coil upwards preferred.

THE VALIDITY OF REPORTED DATA IS REFERRED TO THE DATE OF ISSUE. POSSIBLE UPDATES ARE AVAILABLE ON REQUEST.