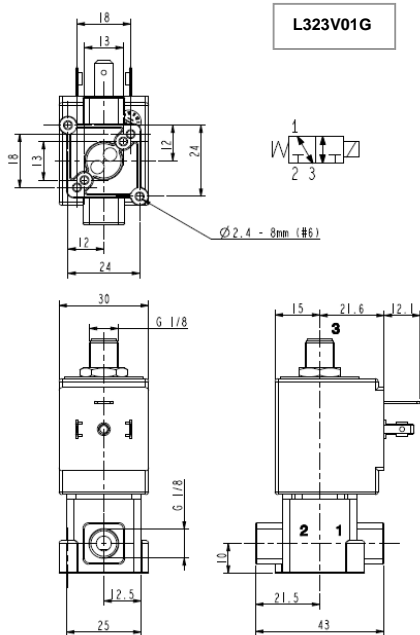


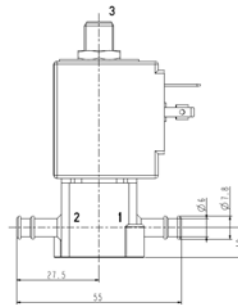


SOLENOID VALVE
3/2 - U (Universal service)
 Direct acting
G 1/8 – Barbed Ports

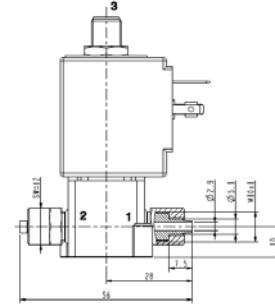
L323



L323V02G



L323V03G



► **GENERAL FEATURES**

Direct acting solenoid valve.
 Suitable to shut off liquid and gaseous fluids; suitable for low pressure steam and applications in sterilising autoclaves (verify the compatibility of fluid with materials in contact).

► **TECHNICAL FEATURES**

Maximum allowable pressure (PS) 10 bar
 Opening time ~20ms
 Closing time ~20ms
 Fluid temperature 0°C +130°C
 Max viscosity 5°E (~37 cStokes or mm²/s)

► **APPROVALS**

UL (Class F) approval – for UL cl.H: ZA34
 IMQ CSV approval, see ZA10 data sheet for further details
 Compliant with MD 174/2004 and Reg. CE 1935/2004



► **MATERIALS IN CONTACT WITH FLUID**

Body PPS
 Sealing FPM
 Internal components Stainless steel
 Seat PPS
 Guide assembly Stainless steel
 Shading ring Copper

► **COIL**

Continuous duty ED 100%
 Encapsulation material PPS (Polyphenilsulfure) fiberglass reinforced
 Coil insulation class F (155°C) on request class H (180°C)
 Ambient temperature -10°C +50°C
 Electric connections DIN 46340 - 3 poles connectors (EN175301-803)
 Protection degree IP 67 (EN 60529) with plug connector
 Voltages DC ZA10G: 12-24V (+10% -5%)
 AC ZA10A: 24V/50Hz - 110V/50Hz (120V/60Hz) - 230V/50Hz (+10% -15%)
 (Other voltages and frequencies on request)

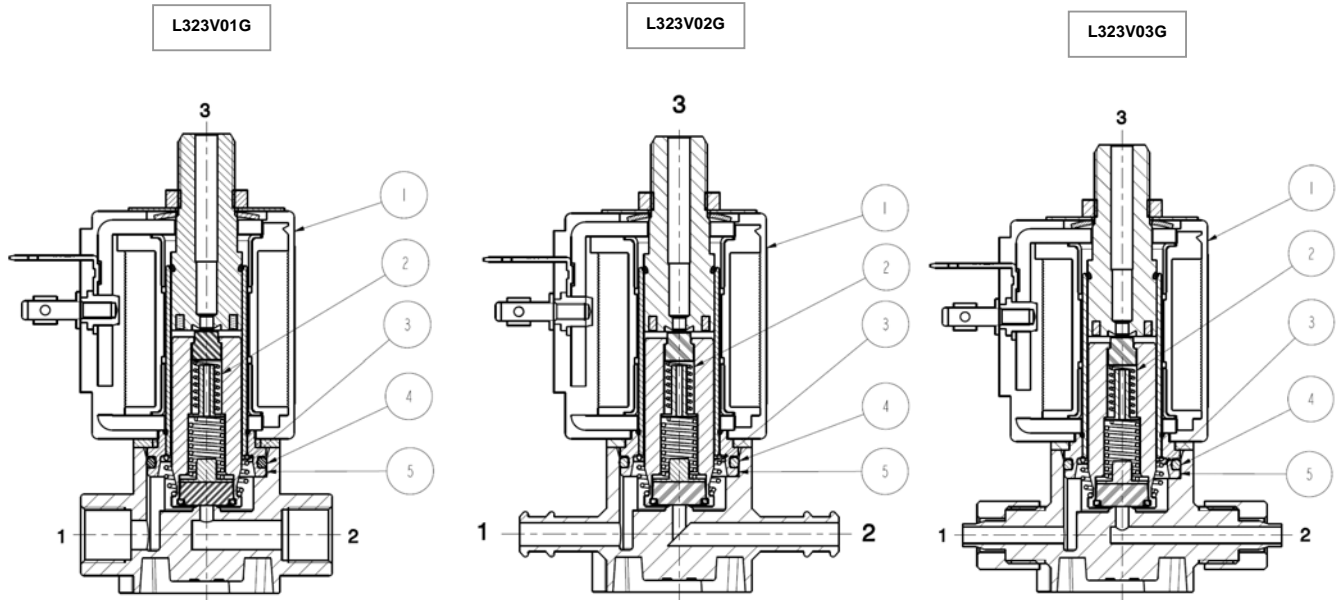
Port size G=ISO 228	Orifice size (mm)	Δp min	Differential pressure (bar)				Kv (m ³ /h)	Series and type		Power absorption			Sealings	Notes	Weight (kg)	
			Δp max					Valve	Coil	AC (VA)		DC (W)				
			Gases		Liquids					Inrush	Holding					
G 1/8	2,3	0	4	-	4	-	0,2	L323V01G	ZA10A	23	14	-	FPM	1 - 2 - 3	0,230	
			-	4	-	4				ZA10G	-	-				12
Barbed ports			4	-	4	-		0,12	L323V02G	ZA10A	23	14				-
			-	4	-	4					ZA10G	-				-
Barbed ports with ring nut			4	-	4	-		0,12	L323V03G	ZA10A	23	14				-
			-	4	-	4					ZA10G	-				-

► **NOTES**

- Sealings : FPM = Fluoro-carbon elastomer
- IMQ CSV approval, see ZA10 datasheet for further details
- UL approved coil (E153691)
- 1 - Maximum driving torque of the pipe fittings for thread connections = 2Nm
- 2 - Only for use with steam, consider following values: PSmax 2,8 bar (max fluid temperature 130°C)
- 3 - The pressure values shown in the table refer to the potential of the valve: they can be lower depending on the connection system used
- 4 - Maximum driving torque of ring nut 1,2Nm

L323

► SPARE PARTS



Kit description

Core kit

Core return spring kit

O-Ring guide assembly kit

Guide assembly

Coil

Kit P.N.

G3065101

G3022401

GU2428000017

290564-001R

ZA10A
ZA10G

Consisting of:

Core pos. 2

N.10 core return spring pos. 3

N.10 O-Ring guide assembly pos. 4

Guide assembly pos. 5

Coil pos.1

► MOUNTING

- Solenoid valve can be mounted in any position; vertical with coil upwards preferred.
- When using any sealant for fittings, please check its chemical compatibility with body material (PPS).
- In case of disassembling for usual maintenance, the fixing screws of the guide assembly have to be tightened with $0,6 \pm 0,7$ Nm torque.