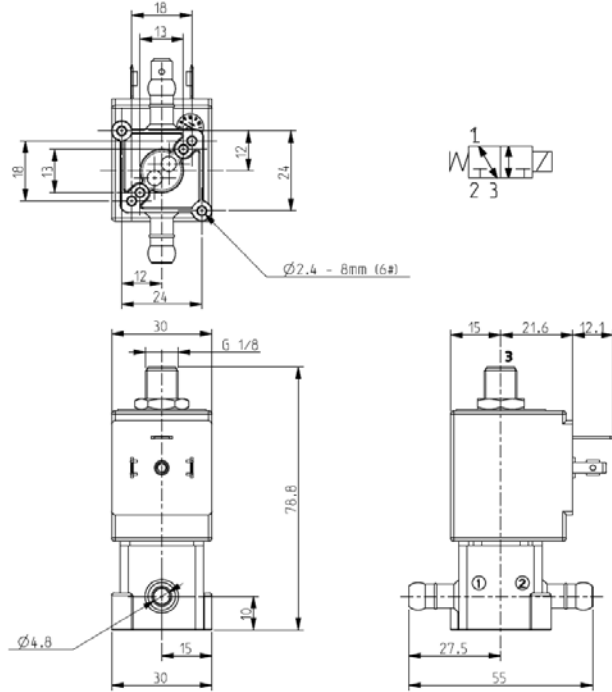




**SOLENOID VALVE**  
**3/2 - U (Universal service)**  
 Direct acting  
 Barbed Ports

**L323V04G**



► **GENERAL FEATURES**

Direct acting solenoid valve.  
 Suitable to shut off liquid and gaseous fluids; suitable for low pressure steam and applications in sterilising autoclaves (verify the compatibility of fluid with materials in contact).

► **TECHNICAL FEATURES**

Maximum allowable pressure (PS) 10 bar  
 Opening time ~20ms  
 Closing time ~20ms  
 Fluid temperature 0°C +130°C  
 Max viscosity 5°E (~37 cStokes or mm<sup>2</sup>/s)

► **MATERIALS IN CONTACT WITH FLUID**

Body PPS  
 Sealing FPM  
 Internal components Stainless steel  
 Seat PPS  
 Guide assembly Stainless steel  
 Shading ring Copper

► **COIL**

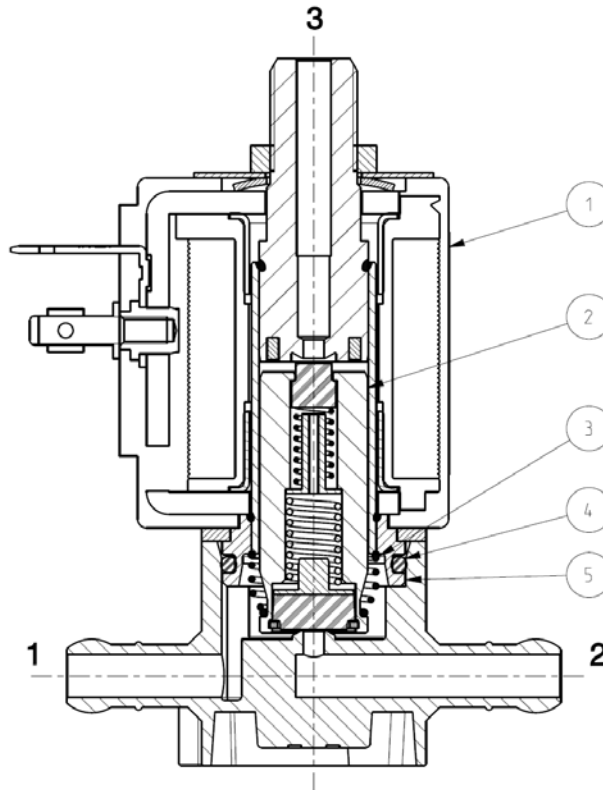
Approval UL (class F) – for UL cl.H: ZA34  
 Continuous duty ED 100%  
 Encapsulation material PPS (Polyphenilsulfure) fiberglass reinforced  
 Coil insulation class F (155°C) on request class H (180°C)  
 Ambient temperature -10°C +50°C  
 Electric connections DIN 46340 - 3 poles connectors (EN175301-803)  
 Protection degree IP 67 (EN 60529) with plug connector  
 Voltages DC ZA10G: 12-24V (+10% -5%)  
 AC ZA10A: 24V/50Hz - 110V/50Hz (120V/60Hz) - 230V/50Hz (+10% -15%)  
 (Other voltages and frequencies on request)

| Port size    | Orifice size (mm) | Differential pressure (bar) |        |    |         | Kv (m <sup>3</sup> /h) | Series and type |       | Power absorption |         |        | Sealings | Notes | Weight (kg) |    |
|--------------|-------------------|-----------------------------|--------|----|---------|------------------------|-----------------|-------|------------------|---------|--------|----------|-------|-------------|----|
|              |                   | Δp min                      | Δp max |    |         |                        | Valve           | Coil  | AC (VA)          |         | DC (W) |          |       |             |    |
|              |                   |                             | Gases  |    | Liquids |                        |                 |       | Inrush           | Holding |        |          |       |             |    |
|              |                   |                             | AC     | DC | AC      |                        |                 |       |                  |         |        |          |       |             | DC |
| Barbed ports | 2,3               | 0                           | 4      | -  | 4       | -                      | L323V04G        | ZA10A | 23               | 14      | -      | FPM      | 1 - 2 | 0,230       |    |
|              |                   |                             | -      | 4  | -       | 4                      |                 |       | -                | -       | 12     |          |       |             |    |

► **NOTES**

- Sealings : FPM = Fluoro-carbon elastomer
- IMQ CSV approval, see ZA10 datasheet for further details
- UL approved coil (E153691)
- 1 - Only for use with steam, consider following values: PSmax 2,8 bar (max fluid temperature 130°C)
- 2 - The pressure values shown in the table refer to the potential of the valve: they can be lower depending on the connection system used

► SPARE PARTS



Kit description

Kit P.N.

Consisting of:

|                           |                |                                   |
|---------------------------|----------------|-----------------------------------|
| Core kit                  | G3065101       | Core pos. 2                       |
| Core return spring kit    | G3022401       | N.10 core return spring pos. 3    |
| O-Ring guide assembly kit | GU242800017    | N.10 O-Ring guide assembly pos. 4 |
| Guide assembly            | 290564-001R    | Guide assembly pos. 5             |
| Coil                      | ZA10A<br>ZA10G | Coil pos.1                        |

► MOUNTING

- Solenoid valve can be mounted in any position; vertical with coil upwards preferred.
- In case of disassembling for usual maintenance, the fixing screws of the guide assembly have to be tightened with  $0,6 \pm 0,7$  Nm torque.