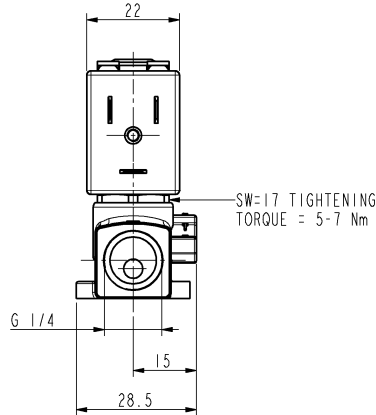
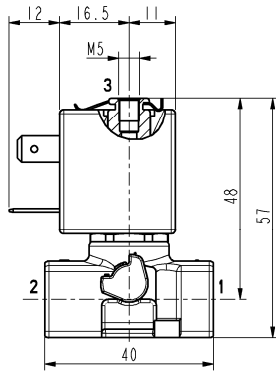
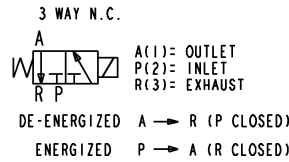
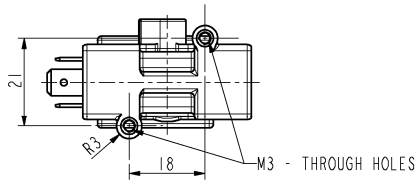




SOLENOID VALVE
3/2- NC (Normally closed)
 Direct acting
G 1/4

L376
STAINLESS STEEL



► **GENERAL FEATURES**

Direct acting solenoid valve.
 Suitable to shut off liquid and gaseous fluids (verify the compatibility of fluid with material in contact)

► **TECHNICAL FEATURES**

Maximum allowable pressure (PS) 50bar
 Opening time ~10ms
 Closing time ~10ms
 Fluid temperature -10°C +130°C
 Max viscosity 5°E (~37 cStokes or mm²/s)

► **MATERIALS IN CONTACT WITH FLUID**

Body Stainless steel AISI 316L
 Sealing FPM
 Internal components Stainless steel
 Seat Stainless steel AISI 316L
 Core tube Stainless steel
 Shading coil Copper

► **COIL**

According to standards

Encapsulation material

Insulation class
 Ambient temperature
 Continuous duty
 Electric connection
 Protection degree
 Voltages DC
 AC

ZB12A	ZB14A
UL and CSA	
PET (polyethylene-terephthalate) fiberglass reinforced	
F (155°C)	H (180°C)
-10°C +60°C	-10°C +75°C
ED 100%	
DIN 46340 - 3 poles plug connector	
IP 67 (EN 60529) with plug connector	
12-24V (+10% -5%)	
24V/50-60Hz - 115V/50Hz - 230V/50-60Hz (+10% -15%)	
(Other voltages and frequencies on request).	

Port size ISO 228	Orifice size (mm)		Differential pressure (bar)				Kv (m ³ /h)		Series and type		Power absorption				Sealings	Notes	Weight (kg)	
			Δp max								AC (VA)		DC					
			Δp min		Gases						Liquids			Inrush				Holding
			1↔2	1↔3	c.a.	c.c.					c.a.	c.c.		VA				VA
G1/4	1,6	1,2	0	10	10	10	10	0,08	0,05	L376V07C	ZB12A	12	6	4	5,5	FPM	1	0,205
	2,4	1,2		4	4	4	4	0,14	0,05									

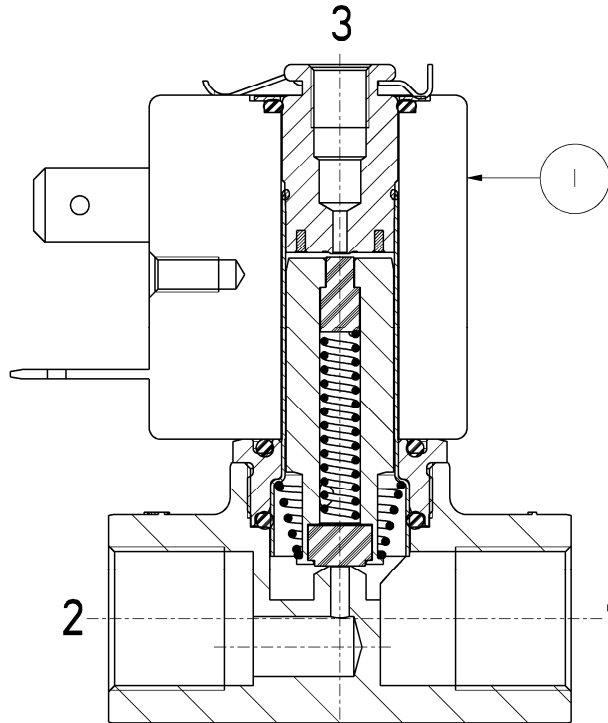
► **NOTES**

- Sealings: FPM = Fluoro-carbon elastomer
- On request: - version with manual override: L376V05
 - coil in class H (ZB14A - see § "COIL")
- 1 - ZB12A and ZB14A coils fitted with sealing gaskets underneath and on the upper part (see sectional view on the back)

L376

STAINLESS STEEL

► SPARE PARTS



Kit description

Coil

Kit P.N.

ZB12A
ZB14A

Consisting of:

Coil pos.1

► INSTALLATION

- Solenoid valve can be mounted in any position; vertical with coil upwards preferred.

THE VALIDITY OF REPORTED DATA IS REFERRED TO THE DATE OF ISSUE. POSSIBLE UPDATES ARE AVAILABLE ON REQUEST