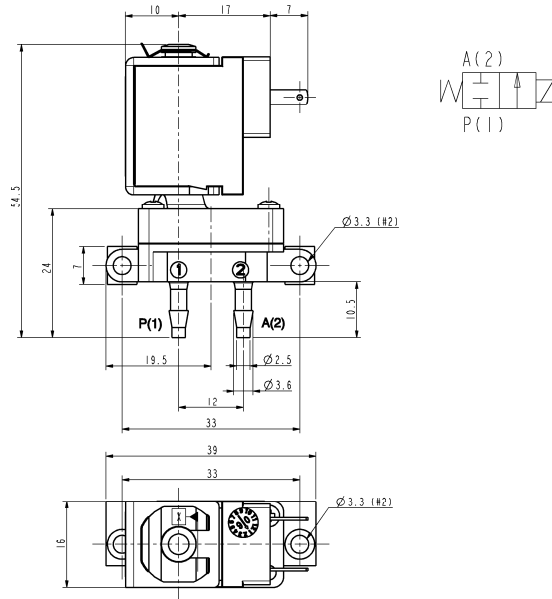




MICRO SOLENOID VALVE - DRY
2/2 - NC (Normally closed)
Direct acting -Total isolation
Barbed port

D151D06-V06



► **GENERAL FEATURES**

Total isolation micro solenoid valve: the actuator is totally isolated from the fluid so that the wetted parts are just the body and the diaphragm.

Reduced internal volume: 67 μ l. Possibility of disassembling for inspection.

The parts subject to sliding friction are duly coated by PTFE (polytetrafluoroethylene) based self lubricating material.

Suitable to shut off liquid and gaseous fluids (verify the compatibility of fluid with materials in contact).

► **TECHNICAL FEATURES**

Maximum allowable pressure (PS) 3 bar
 Opening time ~ 20ms
 Closing time ~ 30ms
 Fluid temperature -10°C +80°C
 Max viscosity 5°E (~37 cStokes or mm²/s)

► **MATERIALS IN CONTACT WITH FLUID**

Body PA12 (polyamide)
 Sealing EPDM or FPM

► **COIL**

Continuous duty ED 100%
 Encapsulation material PA (polyamide) fiberglass reinforced
 Yoke External zinc plated steel
 Insulation class F (155°C)
 Ambient temperature -10°C +60°C
 Electric connections DIN 46340
 Protection degree IP 40 (EN 60529) with female wire terminals 2,8x0,5 totally insulated
 Voltages DC 12-24V (+10% -5%)
 (Other voltages on request)

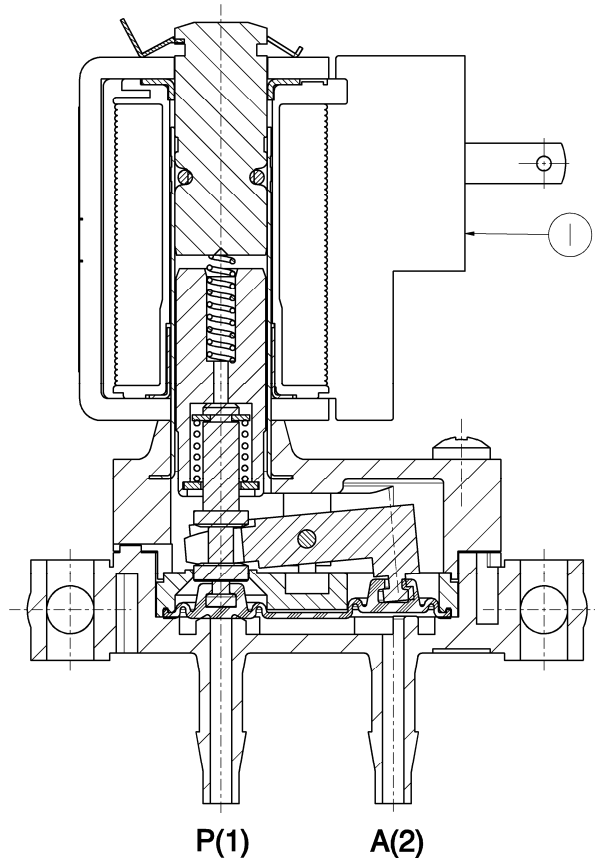
Port size	Orifice size (mm)	Differential pressure (bar)				Kv (m ³ /h)	Series and type		Power absorption			Sealings	Notes	Weight (kg)	
		Δp min	Δp max				Valve	Coil	AC (VA)		DC (W)				
			Gases		Liquids				Inrush	Holding					
			AC	DC	AC										DC
Barbed port	1,5	0	-	2	-	2	0,03	D151D06	ZE30A	-	-	4	EPDM	1	0,040
								D151V06							

► **NOTES**

- Sealings : FPM = Fluoro-carbon elastomer.
 1 - Suitable for vacuum at any port up to 530mmHg (0,7 bar)

1009/1303

► SPARE PARTS



Kit description

Coil

Kit P.N.

ZE30A

Consisting of:

Coil pos. 1

► MOUNTING

- Solenoid valve can be mounted in any position.